

Fig. 1

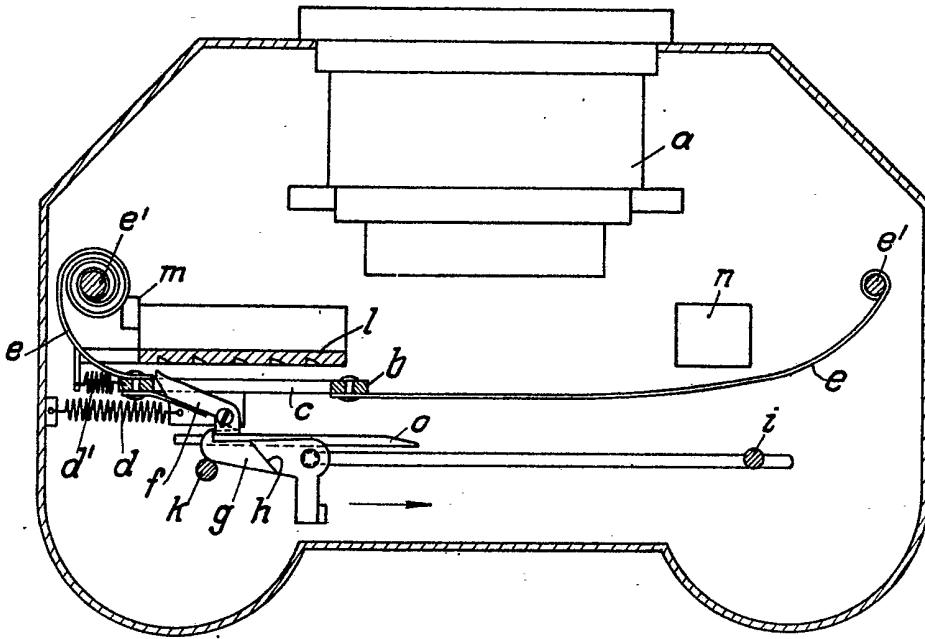


Fig. 2

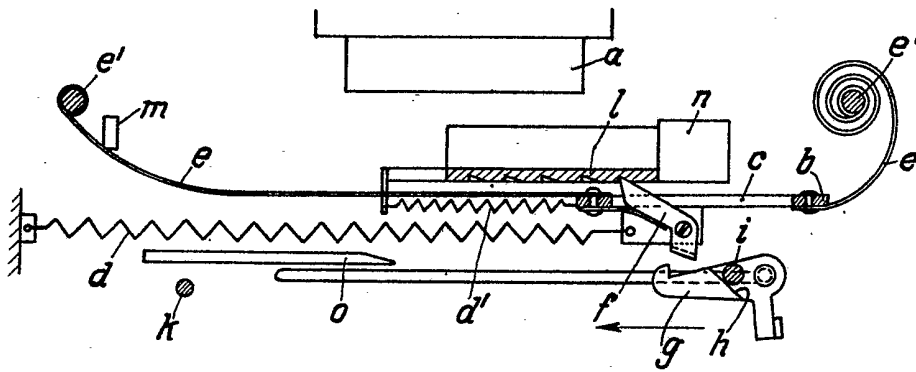
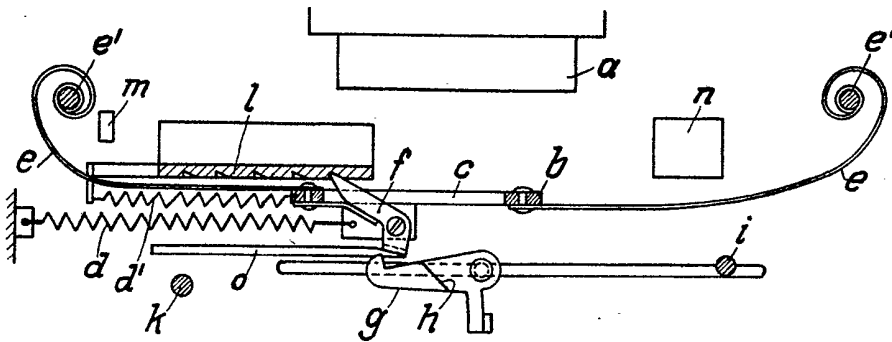


Fig. 3



[This Drawing is a reproduction of the Original on a reduced scale.]